

Measurement of Radon-222 Concentration in Soil Samples of some Sulfuric Spring in Hit City Using CR-39 Detector

*Ali Mustafa Mohammad**

Received 30, May, 2010

Accepted 31, February, 2011

Abstract:

In this study, concentrations of radon were measured for seventeen samples of soil distributed in three Sulphuric Spring, in addition to other regions as a background in Hit City in AL-Anbar Governorate. The radon concentrations in soil samples measured by using alpha-emitters registration that emits from radon (^{222}Rn) in (CR-39) track detector.

The concentrations values were calculated by a comparison with standard samples. The results show that the radon concentrations in first spring varies from (258.253- 347.762 Bq/m^3), second spring (230.374-305.209 Bq/m^3), third spring (292.002-336.023 Bq/m^3) and the average radon concentration in other regions (187.821 Bq/m^3).

As a conclusion of the study radon concentration in Sulphuric Spring is relatively higher than the background.

Key words: Radon concentration, soil, sulfuric spring, nuclear track detector; CR-39.

Introduction:

Radon (^{222}Rn) is a radioactive gas with a half-life 3.823d that is an element of the periodic table and falls within the noble group elements (Helium, Neon and Xenon, etc.). It is difficult to detect radon because it's a colourless and odorless gas. Its Atomic number is (86), boiling point (-61.8 °C), freezing point (-71.0 °C) and density (9.73 Kg.m^{-3}), and it is produced by the decay of the natural radioactive uranium series, which starts with uranium (^{238}U) [1].

Uranium is a very widely distributed element in the earth's crust, it is presented naturally everywhere in soil, sand and rock in various concentration from one place to another. Radon is considered to be one of the most dangerous radioactive elements in the environment [2]. It's

character as a noble gas allows it to spread through the atmosphere. The greatest fraction of natural radiation exposure in humans results from inhalation indoor and work places of the decay products of radon.[3]

Radon gas can diffuse or be transported to some distance through fissures in the rock structure and find its way into the soil and surrounding material. Therefore, radon measurement is the most promising method for detecting uranium deposits.

A Can technique which used in this study based on the registration of alpha tracks from ^{222}Rn on alpha sensitive track detector that was developed for uranium or radon exploration. The detector is exposed to the soil gas for a specific period of time. The alpha tracks are registered on the detector

*College of Arts-Khanaqin/ University of Sulaimani/Iraq

and the tracks density gives a measure of ²²²Rn concentration in the soil. As it is a very simple technique, it can be implemented easily for field studies, since they do not require electronic system [4].

Materials and Methods:

1- Collection of soil samples.

Samples of soil were taken from locations of study for seventeen samples of soil, distributed in three Sulphuric Spring, in addition to other regions as a background in Hit City in AL-Anbar Governorate, from depth (5-10 cm). Then the samples were cleaned, dried, milled and sifted by using special sieve (250 μm in diameter)[5].

2- Irradiation of the detectors

Each sample of soil was taken with the weight (12 gm) and placed in plastic Can. The dimensions of the Can minimize the effect of gas thoron. Pieces of (CR-39) track detectors (1×1 cm² area) were fixed under the cover of plastic Can, which contain the soil samples. The exposure time was (30 days), as shown in Fig. (1)[6,7].

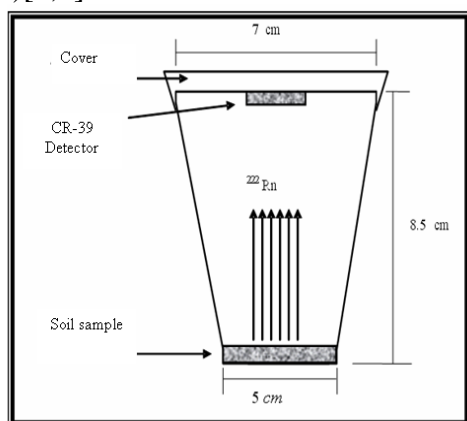


Fig. (1) Radon gas (²²²Rn) estimation by using (CR-39) detector for soil sample[8].

3- Chemical etching and microscopic scanning

After the exposure time, the detectors were etched in a 6.25N

aqueous solution of NaOH maintained at 60 °C for 6 hr, which was the normal employed etching time [8]. The detectors were rinsed with distilled water and dried in air. The track density was recorded using an optical microscope with (400x)[9].

The density of the tracks (ρ) in the detectors, was calculated according to the following relation:

$$(\rho_x) = \frac{N_{ave}}{A}$$

Where

ρ: Track density.

N: Average of total tracks.

A: Area of field view.

4- Radon concentration

Radon gas (²²²Rn) concentration in the soil samples was measured by making a comparison between track densities registered on the detectors of the sample and that of the standard geological sample, from the relation[8]:

$$\frac{C_x}{\rho_x} = \frac{C_s}{\rho_s}$$

Where

C_s, C_x: radon exposure (Bq/m³) for standard and sample respectively.

ρ_s, ρ_x: track density (Ttrack/mm²) for standard and sample respectively.

$$\text{And } C_x = C_s \frac{\rho_x}{\rho_s}$$

Figure (2) Shows this relation, when (slope = ρ_s/ C_s)

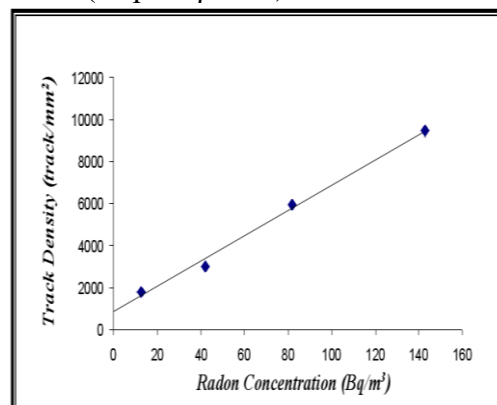


Fig. (2) The relation between track density and radon concentration for standard geological soil samples [8].

Results and Discussion:

The following table shows the measurements obtained, it includes

tracks density, concentrations of radon and rates for different study areas.

Table (1) Radon concentration in soil samples

Study Region	Location	Samples	Tracks Density ($Track/mm^2$)	Radon Concentrations (Bq/m^3)	Average Concentration (Bq/m^3)
Hit City / AL-Anbar Governorate	First spring (2 Km from the City Center)	A1	20431.03 ± 1079.022	347.762	300.562 ± 32.167
		B1	15172.41 ± 832.837	258.253	
		C1	18879.31 ± 1109.21	321.350	
		D1	16896.55 ± 726.960	287.600	
		E1	18189.66 ± 1181.311	309.611	
		F1	16379.31 ± 1465.235	278.796	
	Second spring (1.5 Km from the City Center)	A2	13534.480 ± 913.232	230.374	262.655 ± 31.402
		B2	14827.57 ± 890.341	252.384	
		C2	17931.03 ± 1665.675	305.209	
		D2	15431.03 ± 754.823	262.655	
	Third spring (2.5 Km from the City Center)	A3	19224.14 ± 1468.051	327.219	314.746 ± 20.385
		B3	17844.83 ± 999.570	303.741	
		C3	19741.38 ± 1032.085	336.023	
		D3	17155.17 ± 857.266	292.002	
	Background	Al-Jamiya District	10948.28 ± 709.717	186.353	187.821 ± 1.467
Al-Dura District		11120.69 ± 948.711	189.288		
Al-Mualimeen District		11034.48 ± 729.186	187.821		

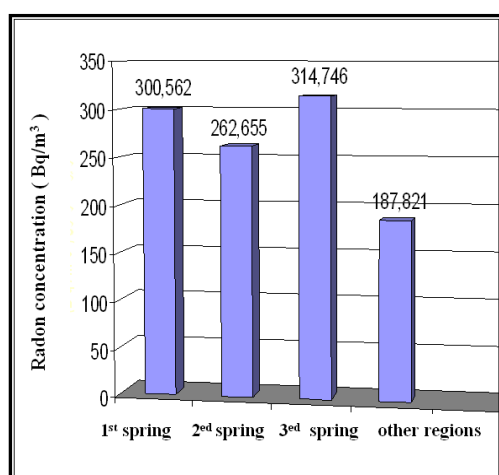


Fig. (3) Shows the average concentration of radon in soil samples for study areas

Table (1) shows the radon concentration in soil samples for three

Sulphuric Spring and other regions as a background. The radon level in each location was normal and varies from (258.253 to 347.762 Bq/m^3) for first spring while the second spring varies from (230.374 to 305.209 Bq/m^3) and from (292.002 to 336.023 Bq/m^3) for third spring; the background regions varies from (186.353 to 189.288 Bq/m^3).

Figure (3) shows the average radon concentration in soil samples for three Sulphuric Spring and the background, the radon concentration in Sulphuric Spring is relatively higher than the background this is due to differences in the composition of the soil in the abundance of minerals and ores in the ground of Sulphuric Spring. Take into

consideration that the background radiation had been taken from residential areas and the outskirts of the city.

In conclusion, we found that the radon levels in soil of Sulphuric Spring are within the acceptable values (800 Bq/m³) give it by the WHO[10].

References

1. Cliff, K.D. 1982. Postgraduate Radiological Protection Course", Lec. L173, Harwel, G. Britain.
2. Mansour, H.H., Khdar, S., Abdulla, H.Y., Muhamad, N.Q., Othman, M.M. and Qader, S. 2005. Measurement of indoor radon level in Erbil capital by using solid state nuclear track detector, Radiat. Measur. 40:544-547.
3. Abumurad, K.M. 2001. Chances of lung cancer due to radon exposure in Al-Mazar Al-Shamali, Jordan, Radiat. Measur. 34: 537-540.
4. Baixeras, C., Erlandsson, B., Font, Ll. and Jonsson, G. 2001. Radon emanation from soil samples, Radiat. Measur. 34 : 441-443.
5. Ali, M.M. 2008. Uranium and radon concentrations in soil of some northern Iraqi regions using nuclear track detector (CR-39). M.Sc. Thesis, Baghdad University, College of Science for women.
6. Mahmoud, K. 2005. Assessment of radon-222 concentration in buildings, building materials, water and soil in Jordan. Appl. Radiat. & Isot. 62(1): 763-773.
7. Kullab, M.K., Al-Bataina, B.A., Ismail, A.M. and Abumurad, K.M. 2001 Seasonal variation of radon-222 concentration in specific locations in Jordan, Radiat. Measur. 34(1): 361-364.
8. Al-Baidhani, Mustafa A. 2006. Determination of the Radioactivity in Soil and Water in Baghdad, Karbala and Basrah Samples. M.Sc. Thesis, Al-Nahrain University, College of Science.
9. Al-Ataby, Nesha'at R., 2005. Study of Environmental Radioactivity in the Soil of Al-Tuwaitha Zone and its Surrounding Sides. Ph.D. Thesis, Baghdad University, College of Science.
10. World Health Organization, WHO. 1993. Guidelines for drinking-water quality^{2nd}. Geneva

قياس تركيز الرادون-222 في نماذج ترب بعض العيون الكبريتية في مدينة هيت باستخدام الكاشف CR-39

علي مصطفى محمد*

*جامعة السليمانية – كلية الآداب / خانقين

الخلاصة:

تم في هذا البحث قياس تراكيز غاز الرادون لسبعة عشر عينة ترابية موزعة في ثلاثة عيون كبريتية بالإضافة إلى مناطق أخرى كخلفية إشعاعية في قضاء هيت بمحافظة الأنبار عن طريق تسجيل اثار بواعث ألفا المنبعثة من غاز الرادون (²²²Rn) في كاشف الأثر النووي (CR-39). تم تحديد التراكيز بالحسابات المعتمدة على المقارنة مع العينات القياسية، ومن خلال النتائج المستحصلة وجدنا ان تراكيز الرادون في نماذج الترب للعين الكبريتية الأولى بين (258.253-347.762 Bq/m³) وللعين الكبريتية الثانية (230.374-305.209 Bq/m³) والعين الثالث (292.002-336.023 Bq/m³) وان معدل التركيز في المناطق الأخرى (187.821 Bq/m³). ويتضح من خلال النتائج ان تركيز غاز الرادون في العيون الكبريتية أعلى نسبياً من الخلفية الإشعاعية للمنطقة.